

TECHNICAL DESCRIPTION

GYPSUM PRESHAPED ELEMENTS AND ITS MATERIALS

The gypsum preshaped elements are **previously cut in angles** of 90°, 45°, and 135°, having the following advantages:

- Quick and easy application
- Largest economy in material savings and labor
- Edges with high quality finish

A STANDARD GYPSUM PLASTERBOARDS

The standard gypsum plaster boards consists of an aerated gypsum core encased in, and firmly bonded to, strong paper liners.

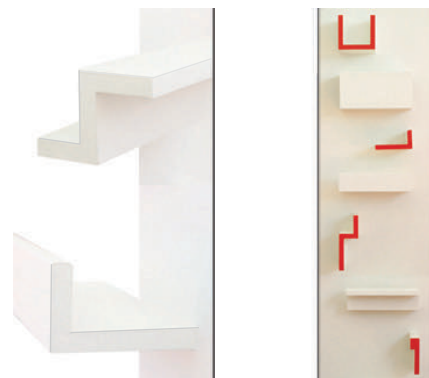
Standard gypsum is a plasterboard manufactured by a continuous laminating process and that is suitable for drylining internal surfaces.

Board Type	WIDHT (mm)	LENGTH (mm)	WEIGHT (m ²)
White	13	2000	^{Kg} 11
White	15	2500	13

UNE 102.023.98

A1 TECHNICAL CHARACTERISTICS

- Paper board on the face surface ➤ light brown
- Paper board on the back ➤ grey
- Coef. of thermal conductivity ➤ 0,25 W /mK
- Designation ➤ HA Type (EN 520)
- Width ➤ 1.200 mm
- Fire reaction ➤ A2-s1-d0
- Water vapor resistance (μ) ➤ 10 (EN 12524)
- Bead kind longitudinal ➤ square (BC)
- Bead kind transversal ➤ square (BC)



B GYPSUM PLASTERBOARDS MOISTURE RESISTANT

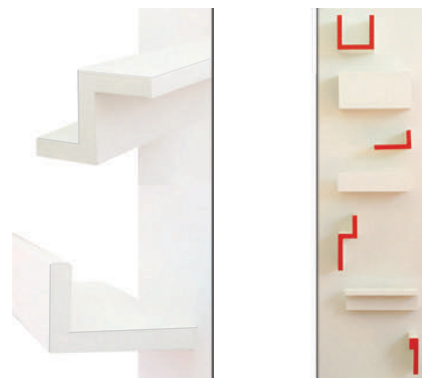
Gypsum plasterboards with water repellent additives in the core combined with silicone in order to reduce the water absorption. Laminated with a special light green paper board on the facing surface and greyish green on the back. The access panels can have a thickness of 13mm and 15mm.

BOARD Type	THICKNESS (mm)	WIDHT (mm)	WEIGHT (m ²)
Water repellent (green)	13	2400	Kg 11
Water repellent (green)	15	2500	13

UNE 102.023.98

A2 TECHNICAL CHARACTERISTICS

- Water absorption on immersion → <5% in weight
- Water superficial absorption → <180 g/m²
- Paper board on the face surface → light green
- Paper board on the back → grey
- Coef. of thermal conductivity → 0,25 W /mK
- Designation → H1 type (EN 520)
- Width → 1.200 mm
- Fire Reaction → A2-s1-d0
- Water vapor resistance (μ) → 10 (EN 12524)
- Bead kind longitudinal → square (BC)
- Bead kind transversal → square(BC)



C GLUE (optional)

The Eurofirst Glue is pasty (thixotropic) and is prepared based on synthetic resins.

C1 TECHNICAL CHARACTERISTICS



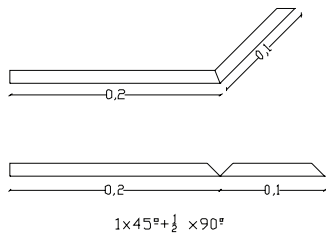
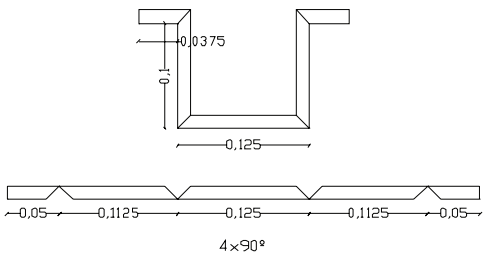
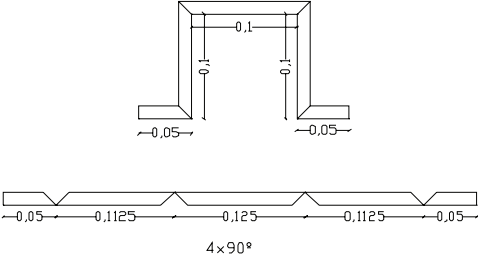
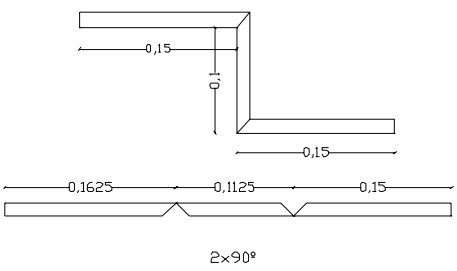
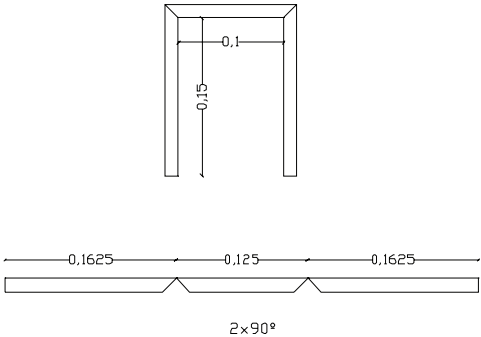
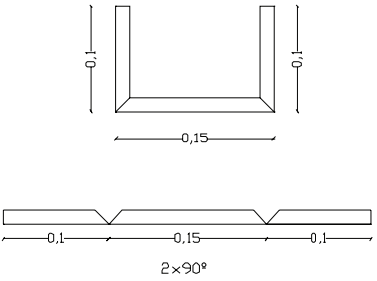
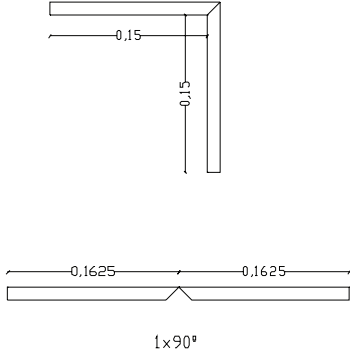
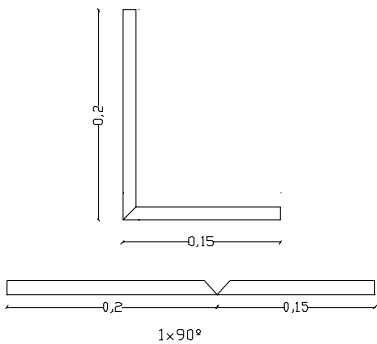
	METHOD	UNITS	VALUES
ASPECT	Visual		Doughy
VISCOSITY			Thixotropic
SOLID CONTENT	Une 53356	%	64
pH	ISO 1148		7
DETACH	Une 53623	mm	0
RESISTANCE (Traction)	EN 205	N/ mm ²	7±2



PRIMARY FORMS

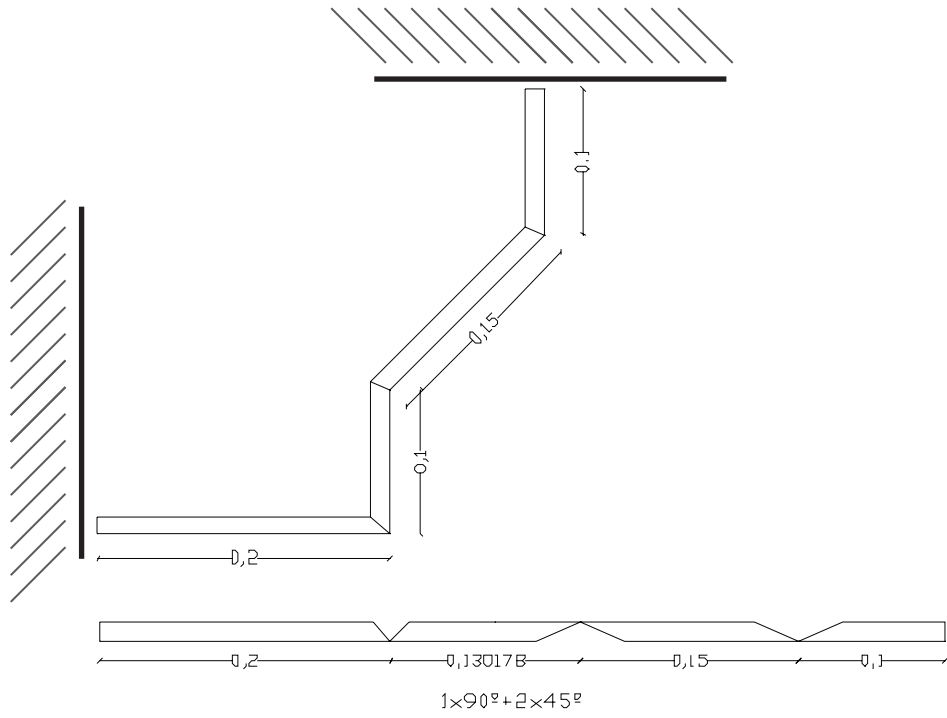
EXAMPLES

millimeters
(mm)

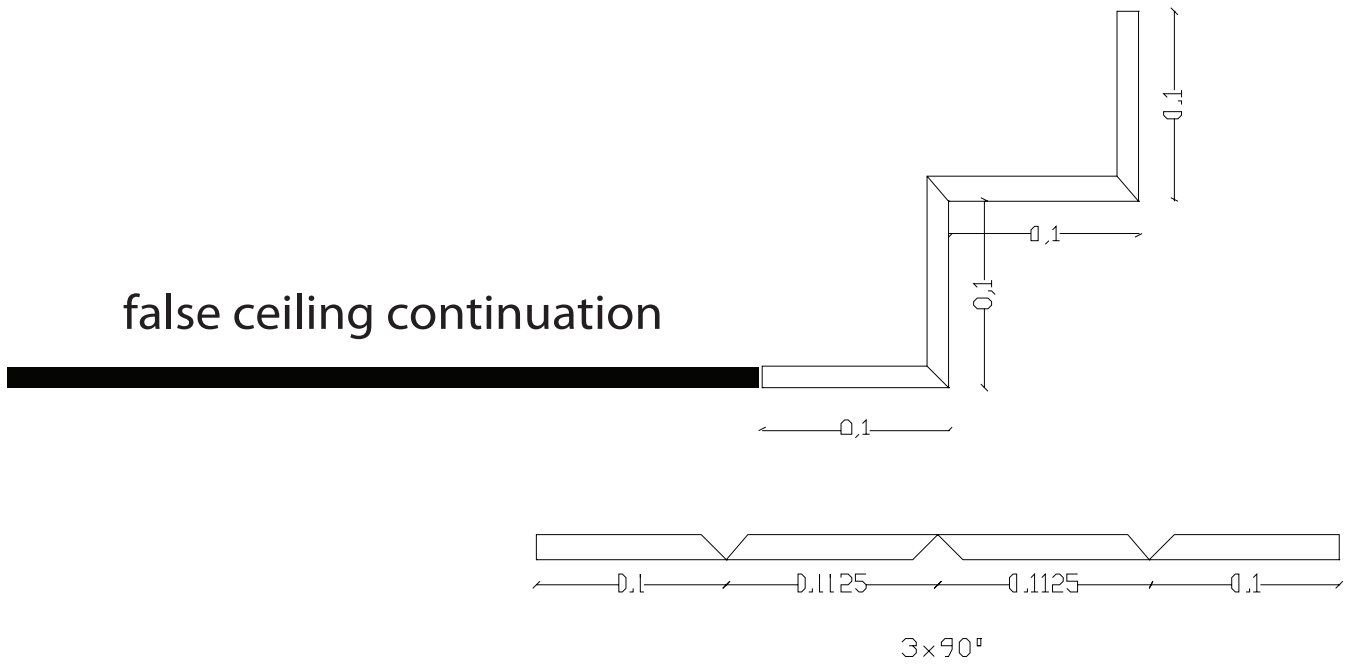


ceiling

wall



false ceiling continuation



finished edge

